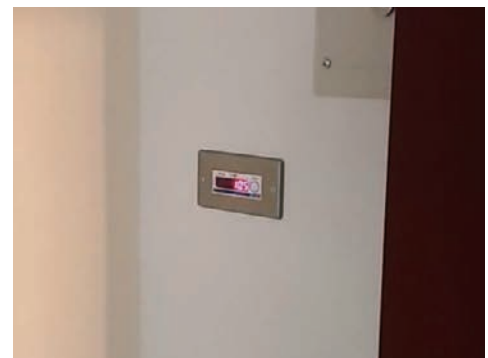
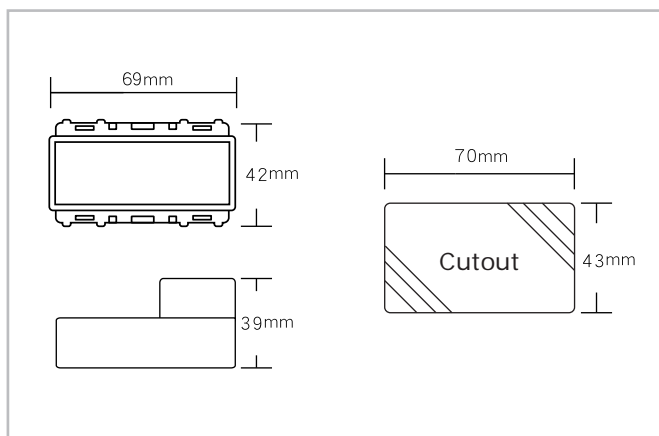


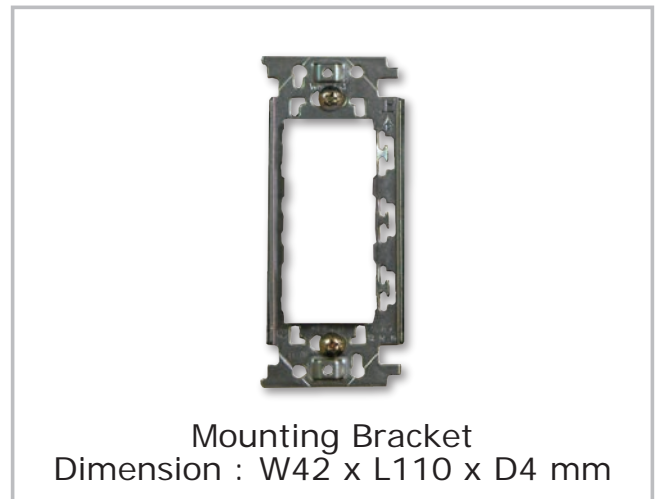
Specification

Item	Description
Input Power	Derived from the RJ11 port of the kWh meter or LB1500, no extra power needed
Power Consumption	1VA
Operating Environment	Temperature: 0 to 60°C Humidity: 0 to 90% (non-condensing)
Display	6-digit LED display
Length of wiring to meter	4C flat cable, 100m max.
Installation	Wall mount

Dimension



Accessories



Ordering Code

Ordering code	Description
SU45K	kWh Based Display Unit
SU45T	Time Based Display Unit

Ordering code	SU45	Box	Other Accessories
SU45K-1 Set	SU45K	Junction Box	Wallplate, Mounting Bracket
SU45K-2 Set	SU45K	In-Wall Junction Box	Wallplate, Mounting Bracket
SU45T-1 Set	SU45T	Junction Box	Wallplate, Mounting Bracket
SU45T-2 Set	SU45T	In-Wall Junction Box	Wallplate, Mounting Bracket

*Note : Each set contains one piece of SU45, box and accessories.