

Smart for Greenlife!

### Features

- 4 channels of DC 0-10V analog output can be connected to dimmable LED, fluorescent, CFL and other dimmable lightings
- 4 analog inputs for connecting with dimming switches or any DC 0-10V analog source (ex. DC 0~10V photo sensor)
- Pattern setting through auto-learning

### Applications

- Automatic brightness setting
- Pattern dimming
- Dimming to save energy
- Remote control through gateway (ex. DAE CC500)

### Configuration and Operation

On the rear of the IS45 (DAE digital switch), set the DIP switch to IS45 to (1, 1), then select a position (A to F) from the rotary switch.

Press and hold any button on the LT4500 for 3 seconds until all 4 LEDs begin blinking (indicating that it is in config mode). For any channel that needs to become part of the pattern, set the dimming level using the dimming knob connected to the analog input, the LED for the given channel will stop blinking to indicate that it is now part of the pattern. Do the same for each of the channels that belong to the pattern, while leaving the rest alone.

Once the desired dimming level for the pattern is set, press any button on the IS45 to assign to the newly preset pattern. For any other IS45 that needs to issue the same pattern command, copy the configuration on the rear of the original IS45 used for setting.

### Overview

The LT4500 has 4 channels of 0 to 10V analog outputs which can be used to control dimmable ballasts and 4 matching 0 to 10V analog inputs for connecting with dimmer switches.

The LT4500 can also be controlled remotely by the IS digital switches as part of a group or pattern. When a group or pattern command is sent by the IS switch, the LT4500 analog output will then either turn completely off or turn on to the preset dimming level.

Similar to the other DAE controllers, the LT4500 also presents a simple programming interface through its auto-learning capability. Any analog output can be preset to a dimness level and become part of any group or pattern.

The group/pattern programming of the LT4500 can be made in conjunction with the relays of other DAE controllers (ex. LT2544) to form a desired scene or set a mood.

### IS Digital Switch Setting Example

Set LT4500 channel 2 for 30% and channel 3 for 80% brightness and assign to pattern 3.

#### Setting Method

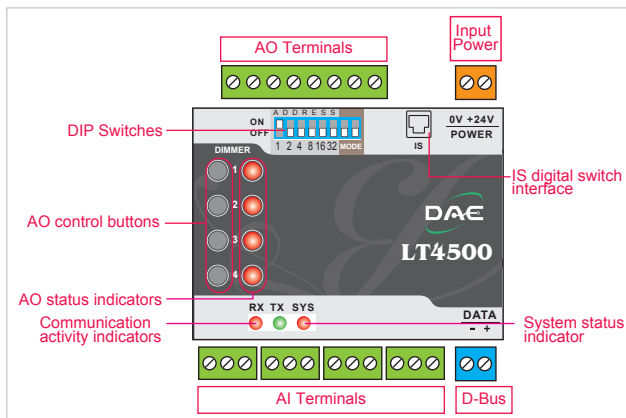
- Set the DIP switch on the IS switch to (ON, ON)
- Set the rotary switch on the IS switch to (A)
- Press button 1 on the LT4500 for 5 seconds, the LT4500 enters its setting mode.
- Press button 2 on the LT4500 until the desired brightness of 30% is achieved.
- Press button 3 on the LT4500 until the desired brightness of 80% is achieved.
- Press buttons 1 and 4 until the lights are off.
- Press button 3 on the IS switch.
- Setting is complete.

The preassigned pattern will now be activated anytime button 3 of the IS switch is pressed.

## Specifications

Input Power	AC/DC 24V
Power Consumption	• 68mA @ DC 24V • 120mA @ AC 24V
Operating Temperature	0 to 60° C
Operating Humidity	0 to 90%RH (non-condensing)
Enclosure Material	ABS plastic
Mounting	DIN rail
Weight	205g
IS Digital Switch Interface	RJ11 jack
Device Address	Set using DIP switches
Communication Interface	DAE D-Bus
Manual Control	4 Buttons correspond to 4 AO LED indicators show the status
Input/Output	4 analog outputs, DC 0~10V 4 analog inputs, option of DC 0~10V or 500kΩ VR (variable resistor)
Connector Terminals	Power : 2 pin orange pluggable block, 18~22AWG D-Bus : 2 pin blue pluggable block, 18~22AWG Each AO : 2 pin green pluggable block, 20~24AWG Each AI : 3 pin green pluggable block, 20~24AWG
LED Indicators	Communication: Rx/Tx System Status: Sys
Dimming Levels	0~100% @ 1% increments
User Setting and Configuration	Set address and modes using DIP switches Press and hold any button for 5 seconds to enter auto-learning and set the desired group and pattern Press the desired button on the IS45 to associate and set the current pattern

## Front Panel & Terminals

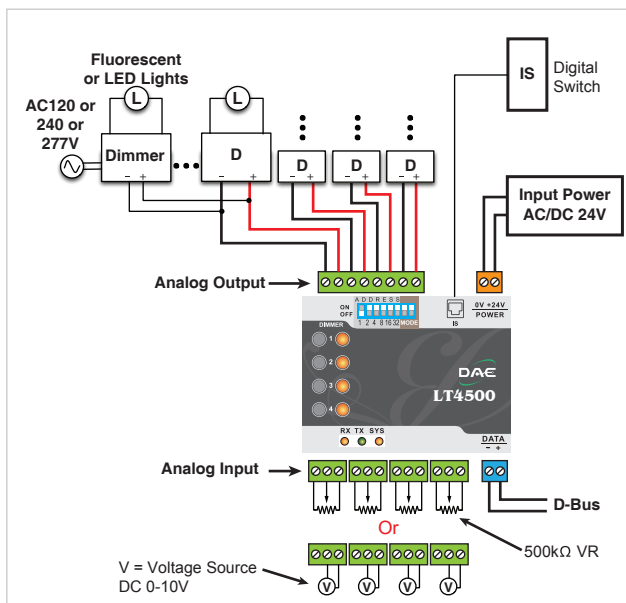


## Dip Switch

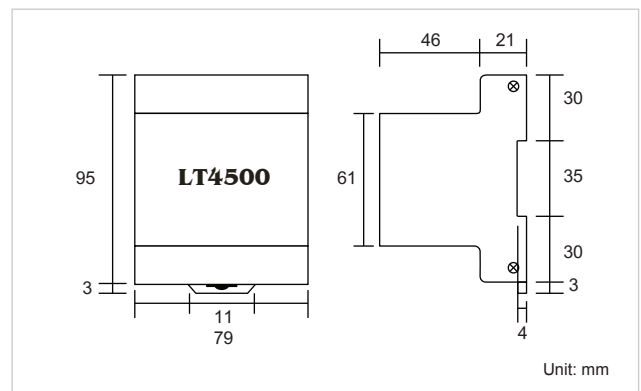
Switch	Position	Mode	IS45	AO
1-6 address 1~64 (all off = 64)				
7-8	(0,0)	Matching Mode (*)	OFF	Preset low level
			ON	Preset high level
	(1,0)	Independent Mode	OFF	Preset low level
			ON	Preset high level
(0,1)		Daylight Harvest Mode (**)	OFF	Low setting
			ON	High setting
(1,1)	Reserved			

Note :  
\* Allow manual adjustable VR override output.  
\*\* Maintain preset dimming percentage when daylight sensor is available.

## Wiring Diagram



## Dimensions



## Ordering Code

Ordering Code	Description
LT4500	4 channel dimming controller output control DC 0~10V

\* Specifications subject to change without notice