

## Energy Limiting Meter

### FEATURES

- Limits the energy usage per day
- Standalone, operates completely independently and removes the need for a remote host or complicated software to implement the required energy limiting scheme
- Easy to install, highly reliable

### APPLICATIONS

- Suitable for tenant metering in solar or wind power plants
- Rugged and built for use in remote villages or isolated islands
- Useful for equipment requiring subsidized billing

### MST-08 HANDHELD SETTING TOOL

The MST-08 handheld setting unit is used to set the Limit 2/20:

- Sets the starting time(eg. 6:00)
- Sets the daily Wh (Watt per hour) allocation
- Sets the maximum Watt during use
- Sets time and date of the built-in real time clock
- 12 keys with 16x2 LCD characters display
- Battery not required



### OVERVIEW

The Limit 2/20 is a unique new type of single phase two wire energy meter that limits the energy consumed per day to prevent energy over use. This energy meter is equipped with a real time clock and a load relay, the in-built CPU handles all metering and control. When the daily limit is reached, the meter will automatically cut off the power. On the next day, a new Wh allocation is provided.

#### Display

The Limit 2/20 displays the remaining Wh allocation visually instead of numerically. Each segment of the 7 segment digit visually represents a proportion of the total Wh allotted.

#### Setting the Limit 2/20

To set the Limit 2/20, simply connect the MST-08 to the RJ11 port of the Limit 2/20 with 6P6C wire. Setting is simple, everything is self-contained, no need for a complicated setup requiring a computer.

#### Operation

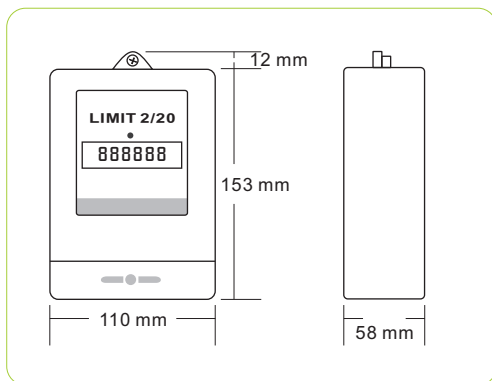
One can set the time of day on which the new allocation will begin (i.e. 6 p.m.). When the designated time is reached, the new allocation will take effect. When the daily allocation is used up, the load power is cut off. If the allocation for the day has not been used up, the remaining amount is added to the next day's allocation. But the maximum allocation for one day of the meter is double of the setup allocation for one day.

#### Application

The Limit 2/20 is ideal for applications where the amount of energy is limited or is rationed per day.

Phase/Wire	• Single phase two wires
Rated Voltage	• 220VAC ( $\pm 10\%$ )
Frequency	• 50 or 60 Hz (specify when ordering)
Rated Current	• 1.5(6)A
Wiring	• Direct connect up to 6A, no external CTs needed
Display	• 6 digit 7-segment LED
Indicators	• Load on/off
Standards	• IEC61036; CNS14607
Wh unit display	• Visual, with each segment representing a percentage of the remaining power allocation
Data port socket	• for connection with MST-08
Surge	• 4kV, 1.2/50 $\mu$ sec
Operating Temperature	• 0°C to 60°C
Storage memory	• non-volatile memory retains data for 10 years
Mounting	• wall mount
Meter Constant	• 3200imp/kWh
Power Consumption	• 3W/5VA
Peal time clock	• available

**DIMENSIONS**



**ORDER CODE**

Order Code	Description
Limit 2/20	Energy Limiting Meter
MST-08	Handheld setting unit for Limit 2/20