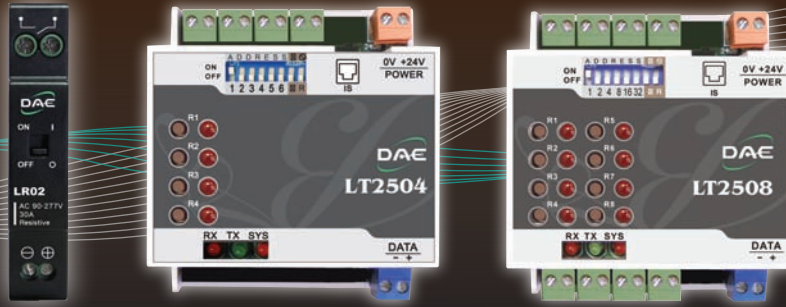


LT2504 / LT2508 External Relay Controller



LT SERIES



Smart for Greenlife!

Features

- On/Off control of large loads or gas discharge lamps
- Can drive an external latching relay (LR02)
- On board manual control buttons for backup control
- Set the address using DIP switches
- LEDs to indicate the status of each connected relay
- LEDs to indicate the communication and system statuses
- Auto-learning capability
- Choice of whether to have the relays all off or restored to its pre-interruption state on power up.

Applications

- Controlling large capacity gas discharge metal halide lamps
- Street lights
- Lighting for large commercial centers and exhibition halls
- Flood lighting for stadiums and gymnasiums

Description

The LT2504/LT2508 is an addressable relay controller for external relays, with both digital control and communications capability. This device can be directly mounted onto a D-Bus network using just a two wire signal cable. It allows an IS45 digital switch to be directly connected to its RJ11 jack.

● Auto Learning Capability

The LT2504/LT2508 can easily be configured through its auto-learning capability, there is no need for special complicated devices or programming software. All that is needed is a screwdriver and the IS45 digital switch to configure it for single, group, pattern modes of operation.

● Manual Control

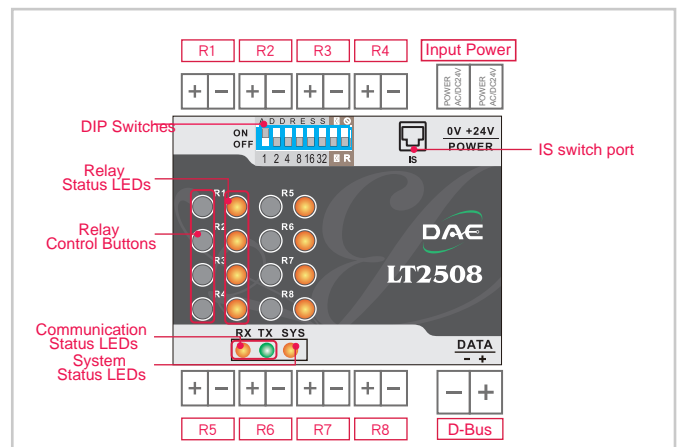
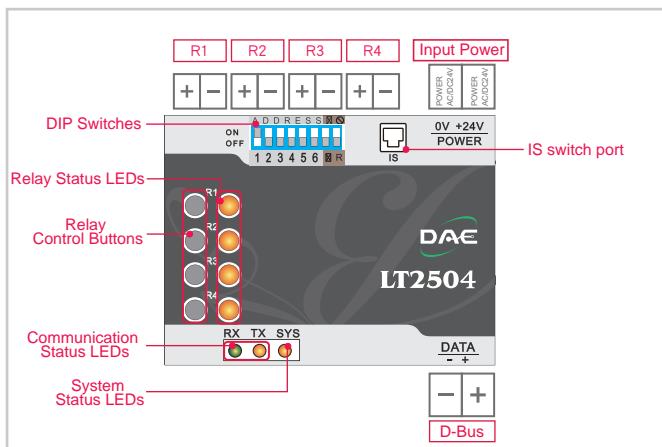
With its on board manual control buttons, each relay can be instantly controlled locally without having to resort to the central control in case there is a need to do so such as during installation or testing. This also serves as a form of emergency backup control in case the central control or network fails.

Easy Configuration Using The IS Switch

The unit can be set for single, group, pattern or all off/on mode of operation using only a screwdriver and an IS45 switch as the setting tools.



Front Panel and Terminals





Specifications

LT2504 / LT2508

Item	Description
Input Power	AC/DC 24V
Output Ports	LT2504 - 4 output channels LT2508 - 8 output channels
Power Consumption	Standby: 0.2VA, Full load: 1VA
Operating Environment	Temperature: 0 to 60°C Humidity: 0 to 90%RH (non-condensing)
Enclosure Material	ABS plastic
Mounting	DIN rail
IS switch port	RJ11 jack
Device Address	Set using DIP switches
Network Bus	D-Bus
Manual Control	LT2504 - 4 pairs of buttons and LED indicators, one for each relay LT2508 - 8 pairs of buttons and LED indicators, one for each relay
Terminal Wire Gauges	Power: Orange terminals 16~22AWG Communication: Blue terminals 16~22AWG Output: Green terminals 16~22AWG
LED indicators	Communication: Rx/Tx System Status: Sys
Weight	LT2504 - 200 grams LT2508 - 220 grams
Device Setting	Set via DIP switches

LR02

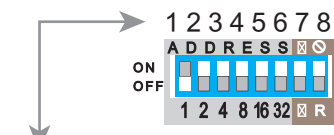
Model	LR02	LR02-30A
Capacity ¹	20A latching relay	30A latching relay
Voltage Rating	100~240VAC	90~277VAC
Safety		
Output Terminal	Wire Gauge: 10~14 AWG	
Input Terminal	Wire Gauge: 12~22 AWG	
Backup Control	Manual actuation lever	
Enclosure	ABS plastic	
Mounting	DIN rail	

● LR02 Load Capacity

Load Voltage	Load Type ²	Wattage	
		LR02	LR02-30A
110Vac	A	800W	1000W
	B	1000W	1250W
	C	1750W	2200W
220Vac	A	1600W	2000W
	B	2000W	2500W
	C	3500W	4400W
277Vac	A	--	2200W
	B	--	2750W
	C	--	4800W

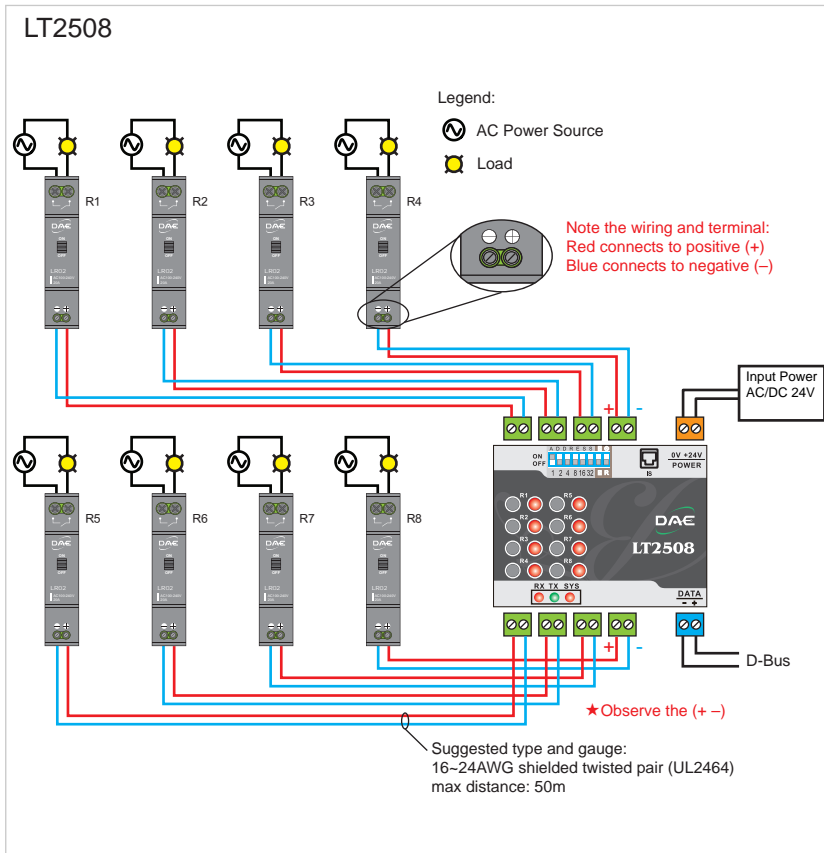
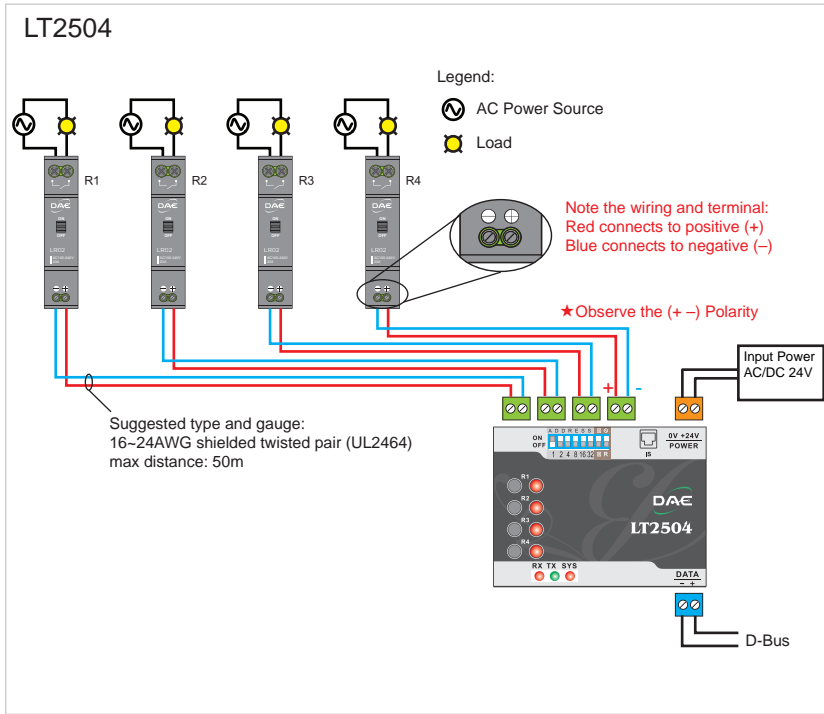
² Note:
Type A - T5, LED, CFL
Type B - T8
(regular fluorescents)
Type C - Tungsten lamps,
halogen lamps

DIP Switch

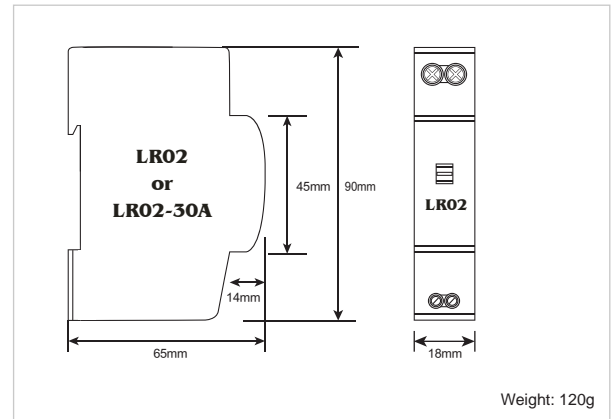
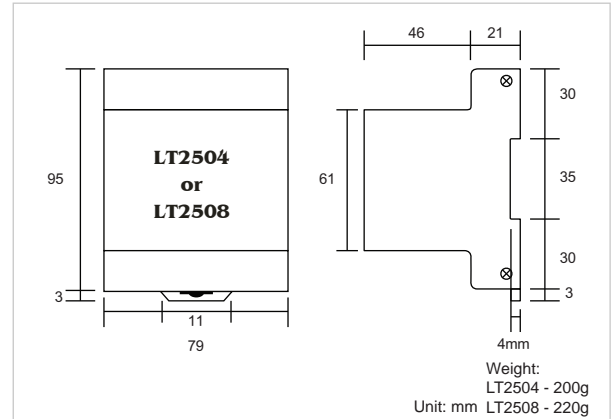


Switch	Usage	
1-6	Device address 1 to 64 (all off = 64)	
7	Not used	
8	ON (⊙)	All relays are always OFF on power up
	OFF (R)	All relays are restored to its state prior to power interruption on power up

Wiring Diagram



Dimensions



Ordering

Order Code	Description
LT2504	4 channel external relay controller
LT2508	8 channel external relay controller
LRO2	20A Latching Relay with CE
LRO2-30A	30A Latching Relay with UL

*This datasheet is for reference only, specifications subject to change without notice