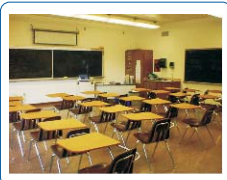


K25-V2 Fixed Time Smart Switch

FEATURES

- Automatically switches power off at fixed times
- 4 fixed auto-off times per day
- Switch can be disabled for a certain period
- Available for single or dual loads
- Will not automatically turn on power after a power interruption
- Can directly replace existing mechanical switches
- No batteries needed
- Only live wire is needed for power, neutral not necessary
- Only 2 mA of standby power
- Supports up to 500 Watts per load
- Each load circuit can support multiple lighting sources

APPLICATION AREAS



Classrooms



Libraries



Meeting Rooms



Bedroom Lights



Equipment/Storage Room



Offices



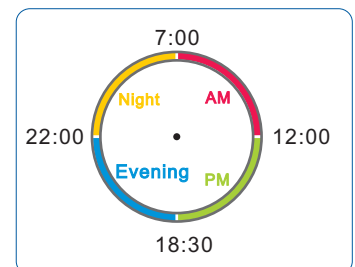
OVERVIEW

The K25 can be used to directly replace conventional wall switches, each is featured with the capability to turn the lights off automatically at fixed times (4 sets) during the day, thus avoiding the unnecessary wastage of energy from forgetting to turn off the lights. Also eliminating the inconvenience of needing someone to go around just to turn off the lights to save electricity.

OPERATIONAL OVERVIEW

Basics

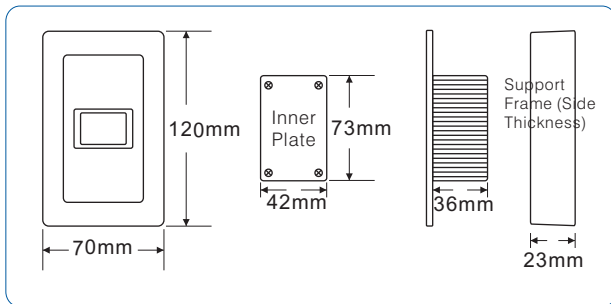
- 1) Standby Mode
A small lamp is lit to help user locate the button
- 2) Power restoration after an interruption
When the power is restored after an interruption, the load will remain in the off state and will not automatically be turned on.
- 3) 4 Fixed time auto-off periods per day
The switch will automatically shut off the power every morning, noon, dusk and evening.
- 4) Prohibited Period (Selectable every night)
During a prohibited period, the loads are turned off, the small indicator lamp will also turn off. At this time the switch is temporarily disabled. This period will be in effect until 6:00 a.m. the next day, upon which time the small indicator lamp will once again turn on to indicate that the switch is once again back to standby mode.



SPECIFICATION

- Setting Tool: Featured with time adjustment setting and display using the remote setting tool, the K40 can be programmed with each months light activation and deactivation times
- Clock Accuracy: Gain or loss of less than 3 minutes per year. Using the setting tool, the time can be readjusted for accuracy
- Control Relay: 220Vac/2A
- Environmental: Temperature: 70°C, Humidity: 95% RH

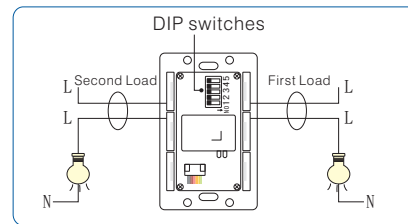
DIMENSIONS



SUPPORT FRAME



WIRING DIAGRAM



ORDERING CODE

Ordering Code	Ordering Code Description
K25-110V-S	110V, single load
K25-110V-D	110V, dual load
K25-220V-S	220V, single load
K25-220V-D	220V, dual load

DIP SWITCH SETTINGS



Setting	1	2、3、4	5
ON	June to September (Autumn) Time 1: 22:00-06:00, delay 10 minutes Time 2: 06:00-18:00 delay 5 minutes Time 3: 18:00-22:00 delay 50 minutes October to May Time 1: 22:00-06:00, delay 10 minutes Time 2: 06:00-17:00 delay 5 minutes Time 3: 17:00-22:00 delay 50 minutes	Not Used	Continuous Mode Enabled (Press and hold button for 15 seconds to activate)
OFF	June to September (Autumn) Time 1: 22:00-06:00, delay 20 minutes Time 2: 06:00-18:00 delay 10 minutes Time 3: 18:00-22:00 delay 50 minutes October to May Time 1: 22:00-06:00, delay 20 minutes Time 2: 06:00-17:00 delay 10 minutes Time 3: 17:00-22:00 delay 50 minutes	Not Used	Continuous Mode Disabled