

K20 Smart Delay Switch

FEATURES

- Automatically switches power off after a certain delay
- Delay length adjustable from 1 to 60 minutes
- Continuous ON mode
- Available with single or dual loads
- Will not automatically turn on power after a power interruption
- Can directly replace existing mechanical switches
- No batteries
- Only live wire is needed, neutral not necessary
- Only 2 mA of standby power
- Supports up to 500 Watts per load
- Each load circuit can support multiple lighting sources



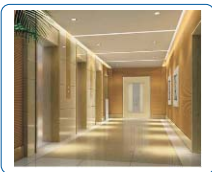
OVERVIEW

The K20 can be used to directly replace conventional wall switches, but unlike conventional switches, they will automatically turn off after a certain delay time, thus saving the unnecessary wastage of power.

During special events, when there is a need to have the power ON indefinitely, a long button press (press and hold for 3 seconds) to put it into continuously ON mode.

Automatic delay off time adjustable using the DIP switches hidden behind the faceplate. Large and lighted button for easy visibility even in the dark.

APPLICATION AREAS



Elevator Lobby



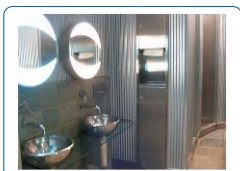
Kitchen



Actual Site



Installing



Washroom



Hallway

APPLICATION EXAMPLES

- Hallway lights: delay off time 5 minutes; for special events, a long button press turns on continuous ON mode, a short press turns off lights.
- Washroom lights: delay off time 15 minutes; during cleaning time, a long button press turns on continuous ON mode, a short press turns off lights.
- Storage room, equipment room or kitchen: delay off time 15 minutes, but a short press can turn off lights regardless of delay; during cleanup and tidying, a long button press turns on continuous ON mode; a short press turns off lights.
- Meeting room: delay off time 30 minutes, may be turned off at any time regardless of delay off time by a short button press.
- Small meeting room: delay off time 60 minutes, may be turned off at any time regardless; or may be kept on continuously by a long press, and turned off any time after using.

CONTROL FEATURE OVERVIEW

Usage Modes: 2 methods of operation

1. Delay Off Mode: a short button press causes the indicator light to blink, the lights will then turn on, and will turn off automatically after a preset amount of delay. When the button is pressed again before the automatic off kicks in, the switch can either extend the delay off for another cycle or turn off immediately (action can be set using the DIP switch).
2. Continuous On Mode

Mode Selection

Remove the switch cover, the inside plate has DIP switches that can be set.

1. Select from 8 delay off time (bit 1, 2, 3): 1, 3, 5, 10, 15, 20, 30, 45, 60 minutes
2. Continuous ON mode enabled (bit 4)
3. Action taken by a button press during automatic delay off, either turn off immediately or extend to delay off for another cycle.

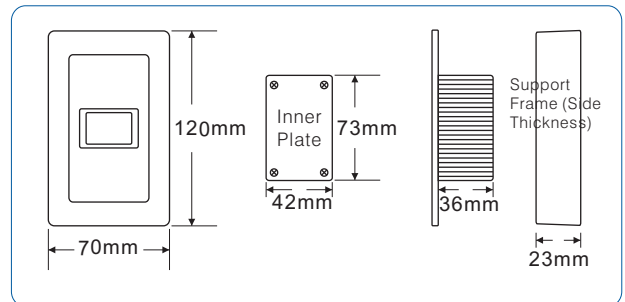
On Power Restoration

When the power is restored after a power interruption, the switch will remain in the off state unless otherwise manually turned back on, the switch will not automatically turn the lights back on.

Power Specification

1. The power is derived from the live wire, no need for the neutral or ground wire.
2. Standby power: 220 Vac at less than 2 mA
3. Voltage selection: 110 V or 220 V
4. Maximum load: 500 Watts
5. Can be expanded to support 2 loads, for up to 1000 Watts (loads can either have the same or of difference phase)

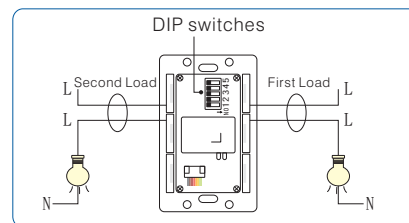
DIMENSIONS



SUPPORT FRAME



WIRING DIAGRAM



ORDERING CODE

Ordering Code	Ordering Code Description
K20-110V-S	110V, single load
K20-110V-D	110V, dual load
K20-220V-S	220V, single load
K20-220V-D	220V, dual load

DIP SWITCH SETTINGS



Setting	1	2	3	4	5	1-4
ON	5 minute delay	15 minute delay	30 minute delay	60 minute delay	Enable continuous mode (press and hold for 15 seconds)	/
OFF	/	/	/	/		