

## CCWEB

### FEATURES

- modbus TCP/IP
  - Support D-bus and modbus
  - Fast response
  - Completes system restoration after 10 seconds of power restoration
- Product web interface to configure and view I/O data status



### OVERVIEW

The CCWEB is a data collector that acts as an intermediary between a central host and the various LT addressable relays on the D-Bus or modbus. The CCWEB uses the open standard modbus TCP/IP Modbus/RTU as its communications protocol. The Modbus protocol is the most commonly used protocol for facility management monitoring and control. Thus, the CCWEB can easily interface with many standard industrial software packages, and does not need any specialized or customized BAS systems.

#### Function

The CCWEB provides for a two way monitoring and control, it can transmit the status of each relay of an LT station, every DI status, but also allow the sending of commands whether it be for individual, group or scene control. The CCWEB has very good response time, under regular conditions, control signals can be issued within 0.2 seconds, reading of status

information can also be completed in just 0.2 seconds. Which is very much within the real time constraints of most central hosts. The register statuses within the CCWEB is kept synchronized with the relays of the LTs and the digital switches. With the CCWEB, the status of each relay can actually be reflected on the central monitoring station.

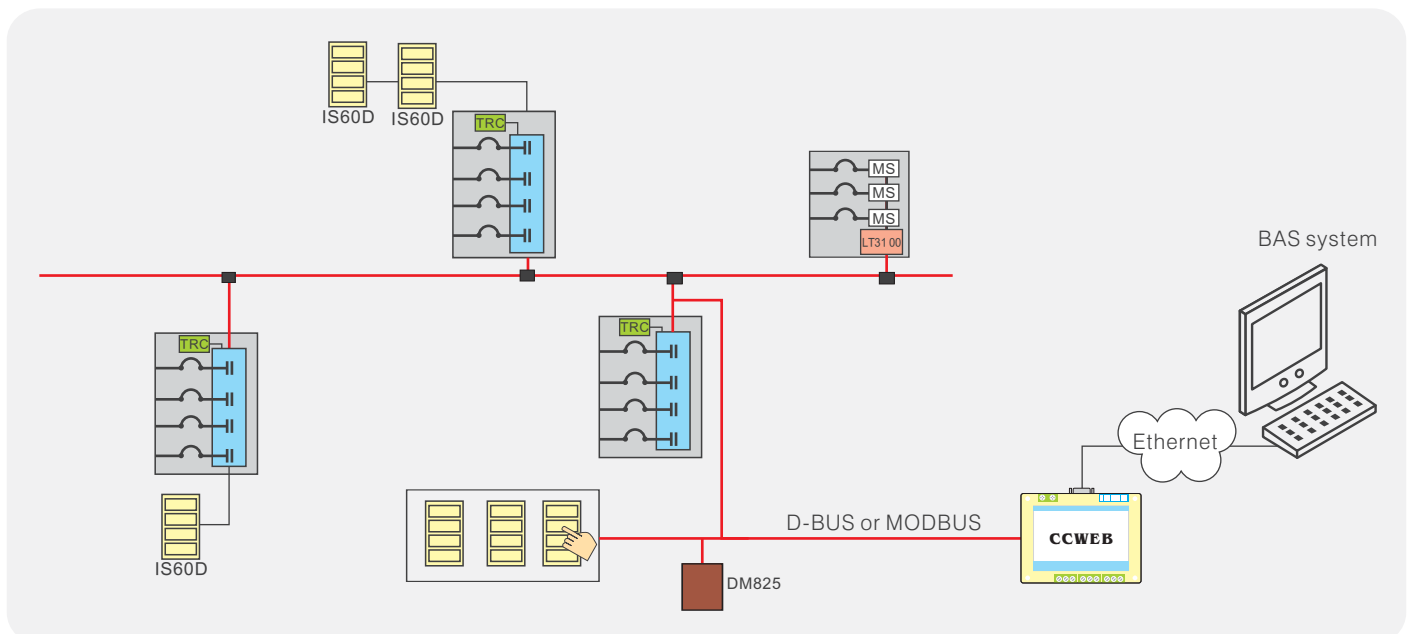
#### Data interface

The communication bus between the CCWEB and the central is selectable between RS232 or RS485. Web interface to view all the status of relays and each DI status.

#### Indication

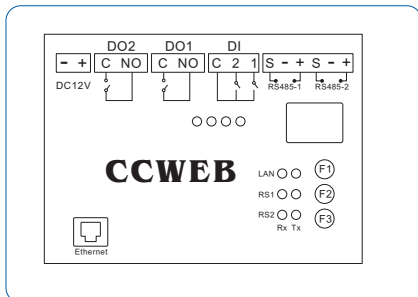
The CCWEB is equipped with a communications status LED indicator, which helps the diagnosing and troubleshooting the communication status during maintenance.

### SYSTEM STRUCTURE

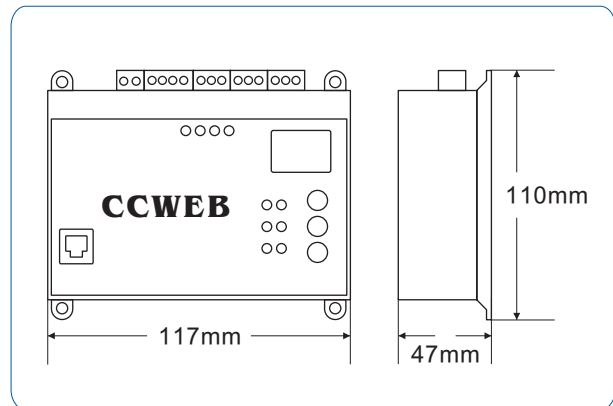


CPU Controller	<ul style="list-style-type: none"> <li>• Low power processor</li> </ul>
Main Memory	<ul style="list-style-type: none"> <li>• 256kB FLASH for data storage</li> </ul>
I/O Communication Interface	<ul style="list-style-type: none"> <li>• RS485 and D-bus</li> <li>• Communication speed: 9600 bps</li> </ul>
Capacity	<ul style="list-style-type: none"> <li>• Each CCWEB can connect up to 32 LT modules</li> </ul>
Web Interface	<ul style="list-style-type: none"> <li>• The activity status of each LT module as well as the communication status is viewable through the web interface</li> </ul>
Main program	<ul style="list-style-type: none"> <li>• Can accept commands from the central host and relay it, can also reflect the status of a group, as a backup control, the controller can individually control up to 5 modules</li> </ul>
Main interface	<ul style="list-style-type: none"> <li>• TCP/IP, Ethernet</li> </ul>
Protocol	<ul style="list-style-type: none"> <li>• Modbus communication protocol</li> </ul>
Indicators	<ul style="list-style-type: none"> <li>• I/O communication interface status LED</li> <li>• Main interface (Ethernet) communication interface status LED</li> </ul>
Auxiliary voltage	<ul style="list-style-type: none"> <li>• 12 Vdc</li> </ul>

**TERMINAL DIAGRAM**



**DIMENSIONS**



**ORDERING CODE**

Ordering Code	Description
CCWEB	Standard CCWeb
CCWEB-SD	CCWeb with SD card