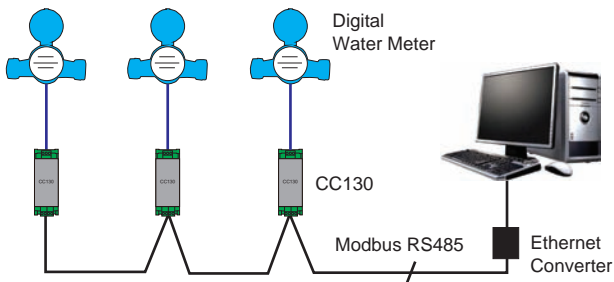




Smart for Greenlife!

Overview

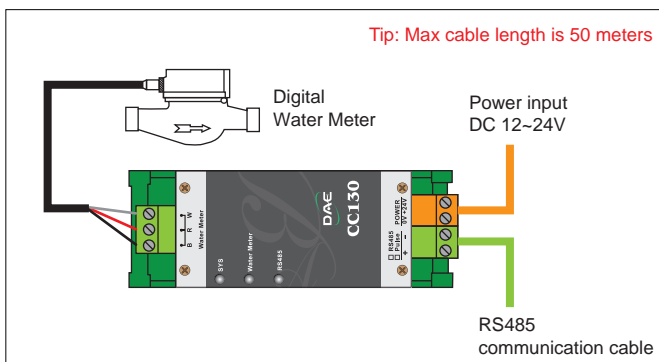
- The CC130 is a communication module for one digital water meter. Its communication capability allows it to be connected to a remote host for automated meter reading.
- When the power is restored from an interruption, this module will automatically read and sync with the meter.



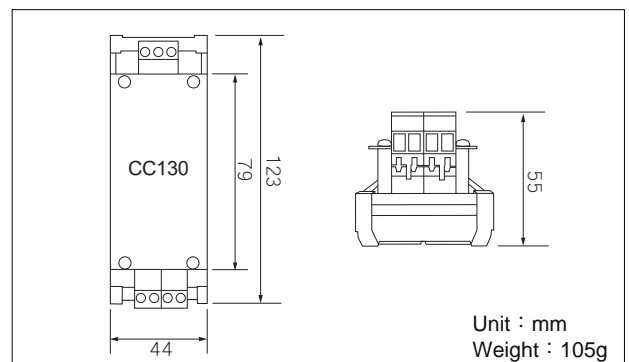
Specification

Item	Description
Power Supply	DC 12~24V
Indicator	3 LED Indicators - SYS : System Status Indicator - Water Meter : Water Meter Data Activity Indicator - RS485 : Remote Host Communication Activity Indicator
Mounting	DIN Rail TS35/7.5 or 15
Communication	Modbus RS485 RTU (8/n/1)
Baud Rate	1200 、 2400 、 4800 、 9600bps, default 9600 bps Can be set through Modbus communication
Address	0~254, can be set through Modbus communication Default : The last two digits of serial number, 00=100
Power Consumption	Max 1.5W

Wiring



Dimension



Ordering Code

Ordering Code	Description
CC130	Communication Module For Digital Water Meter

*Due to continuous improvements and innovations, product specifications subject to change without notice.