

AS Series Water Meter With Pulse Output



Smart for Greenlife!

Description

The AS series of water meters include a pulse output that can be connected to a data collection device for remote auto meter reading. They are available in sizes from half inch up to 4 inch. They are ready for use with the AMR or AMR130 module which are also available from DAE; these modules collect the data from the water meters and sends it to a remote host for auto meter reading through their RS485 communication interface using the Modbus protocol.

Features

- Accuracy: $\pm 2\%$, Class B
- For 1.5 inch or smaller water meters, the register head can be freely rotated for convenient viewing
- Eight digit register counter
- Pulse output for remote reading
- Max temperature: cold water meter 40°C, hot water meter 90°C
- Hot water is painted red, and needs to be specified during ordering
- Conforms to ISO 4064
- Suitable for drinking water use
- Max flow protection 1.5 times of nominal flow

Separated Wet and Dry Parts

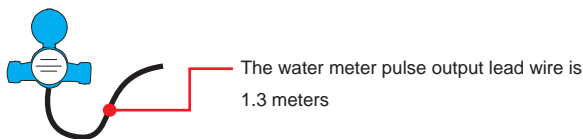
- Register head and the impeller are separate, and is magnetically coupled for increased reliability and easy maintenance.
- When the register head is replaced, the main impeller body can allow the water to flow uninterrupted.
- A lead seal ties the register head to the main body to detect tampering.

Screw Type

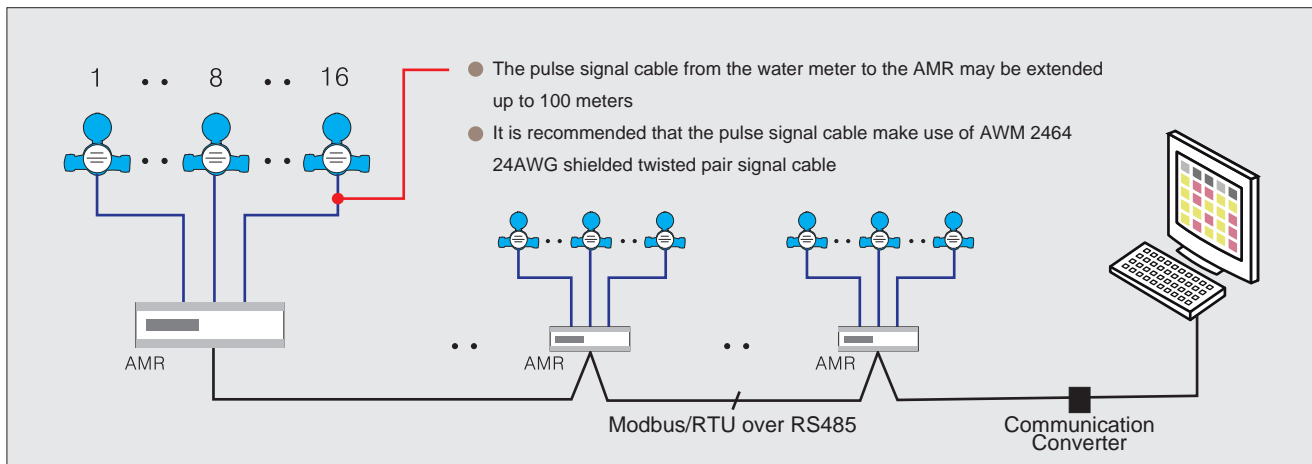
- Having the register head separate from the impeller body allows the register head to rotate freely.
- Includes a replaceable strainer to block foreign matter.

Flange Type

- Impeller core may be replaced without affecting the outer enclosure.
- Does not include filter, if one is needed, it should be a separate installation.

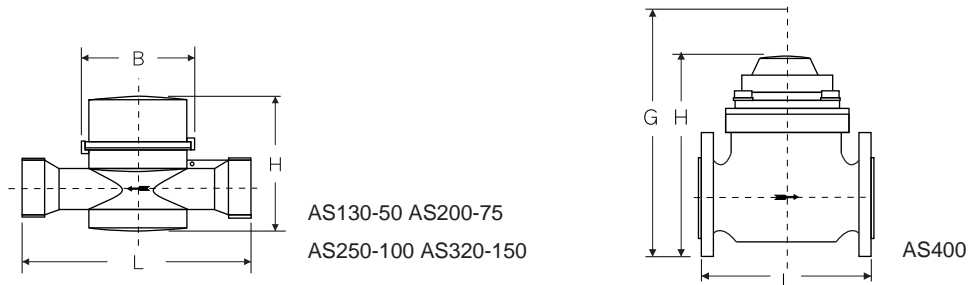


System Architecture



Specifications

Order Code		DN	Inlet	Flow Rate (m ³ /h)		Dimension (mm)			Weight (kg)	Pulse Out m ³ /pulse	Coupling Type	Material
Cold	Hot			Nominal	Min	L	H	B/G				
AS130-50	AS130-50R	13	½"	1.5	0.03	110	77	86	0.8	0.01	¾" screw	bronze
AS200-75	AS200-75R	20	¾"	2.5	0.05	130	77	86	1	0.01	1" screw	bronze
AS250-100	AS250-100R	25	1"	3.5	0.07	160	77	93	1.6	0.01	1¼" screw	bronze
AS320-125	AS320-125R	32	1¼"	6	0.12	160	110	121	2.6	0.01	1½" screw	bronze
AS320-150	AS320-150R	40	1½"	10	0.2	200	110	121	2.9	0.01	2" screw	bronze
AS320-200	AS320-200R	50	2"	15	0.3	300	172	125	8.5	0.1	2½" screw	bronze
AS400-200	AS320-200R	50	2"	40	0.8	200	256	380	12	0.1	4 x M16 flange (165 dia)	cast iron
AS400-250	AS400-250R	65	2½"	40	0.8	200	256	380	13	0.1	4 x M16 flange (185 dia)	cast iron
AS400-300	AS400-300R	80	3"	63	1.25	225	276	380	16	0.1	8 x M16 flange (200 dia)	cast iron
AS400-400	AS400-400R	100	4"	100	2	250	290	380	18	0.1	8 x M16 flange (220 dia)	cast iron



Related Products

Display and Communication Module

- Single Channel



AMR130
DIN Rail

- Connects to the pulse output of one water meter
- Displays the accumulated pulse reading
- Modbus/RTU over RS485 communication interface
- Requires external DC 15V power supply

- 16 Channels



AMR
DIN Rail

- Connect the pulse outputs of up to 16 water meters
- Displays the accumulated pulse readings
- Modbus/RTU over RS485 communication interface
- Requires external DC 15V power supply

Ordering Code	Description
AMR130	Single-Channel AMR base module, DIN Rail
AMR	16-Channel AMR base module, DIN Rail